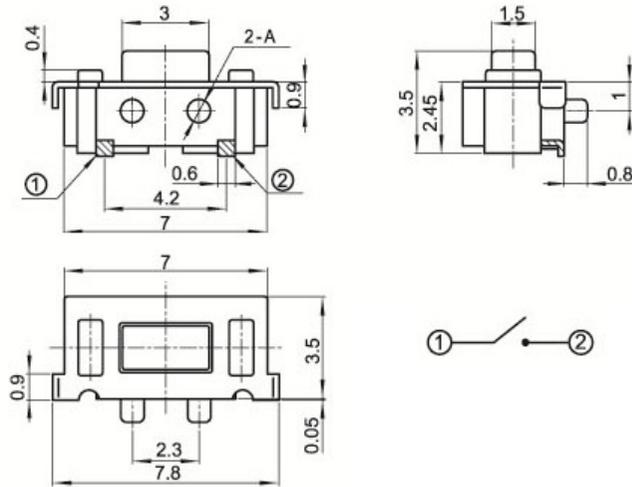
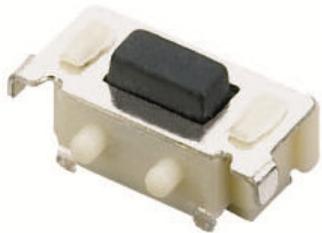


PART NUMBER: SMD-3560-01

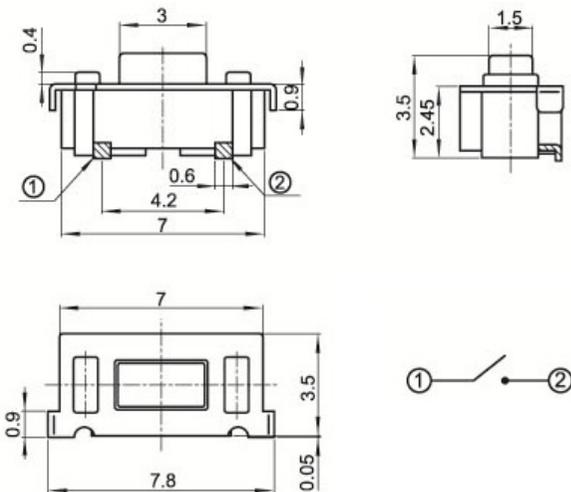
DESCRIPTION: 2.5X7.0X3.5mm 3.5X6MM SMD TACT SWITCH SIDE PRESS

ROHS COMPLIANT



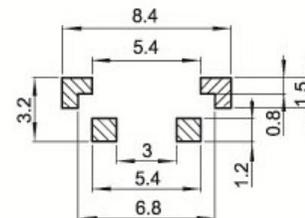
PART NUMBER: SMD-3560-02

DESCRIPTION: 2.5X7.0X3.5mm 3.5X6MM SMD TACT SWITCH SIDE PRESS



SPECIFICATIONS

Items		Standard
Operating temperature range		-30°C to +85°C
Electrical performance	Rating	50mA, 12V DC
	Insulation resistance	100MΩ min. 100V DC
	Dielectric strength	250V AC for 1 min.
	Contact resistance	100mΩ max.
Durability	Lifetime	30,000 Cycles
Mechanical performance	Operating force	160gf 250gf
	Travel	0.25 ± 0.1mm



Dimensional tolerance +/- 0.2mm

P PRAN ELECTRONICS PVT. LTD.
INDIA.